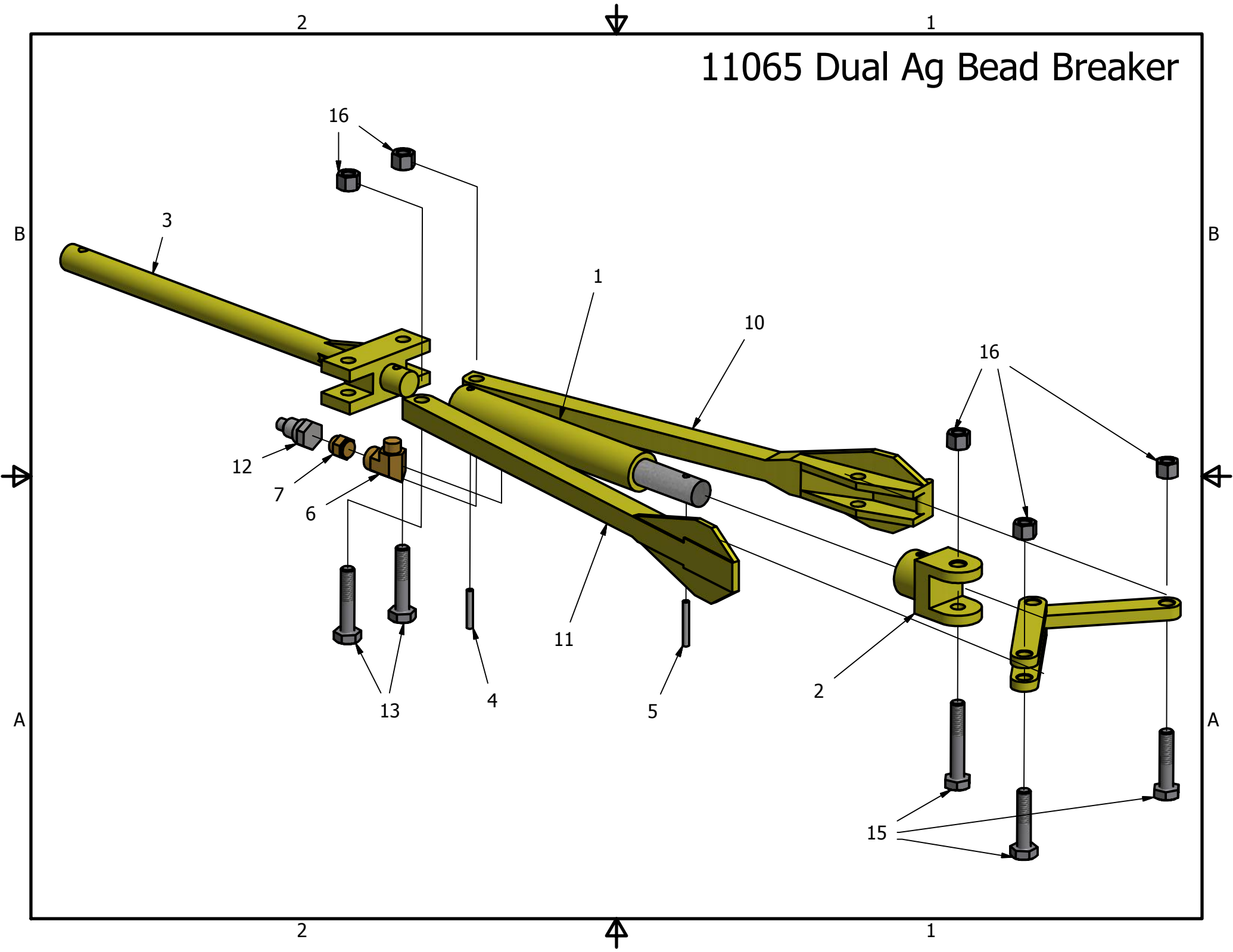
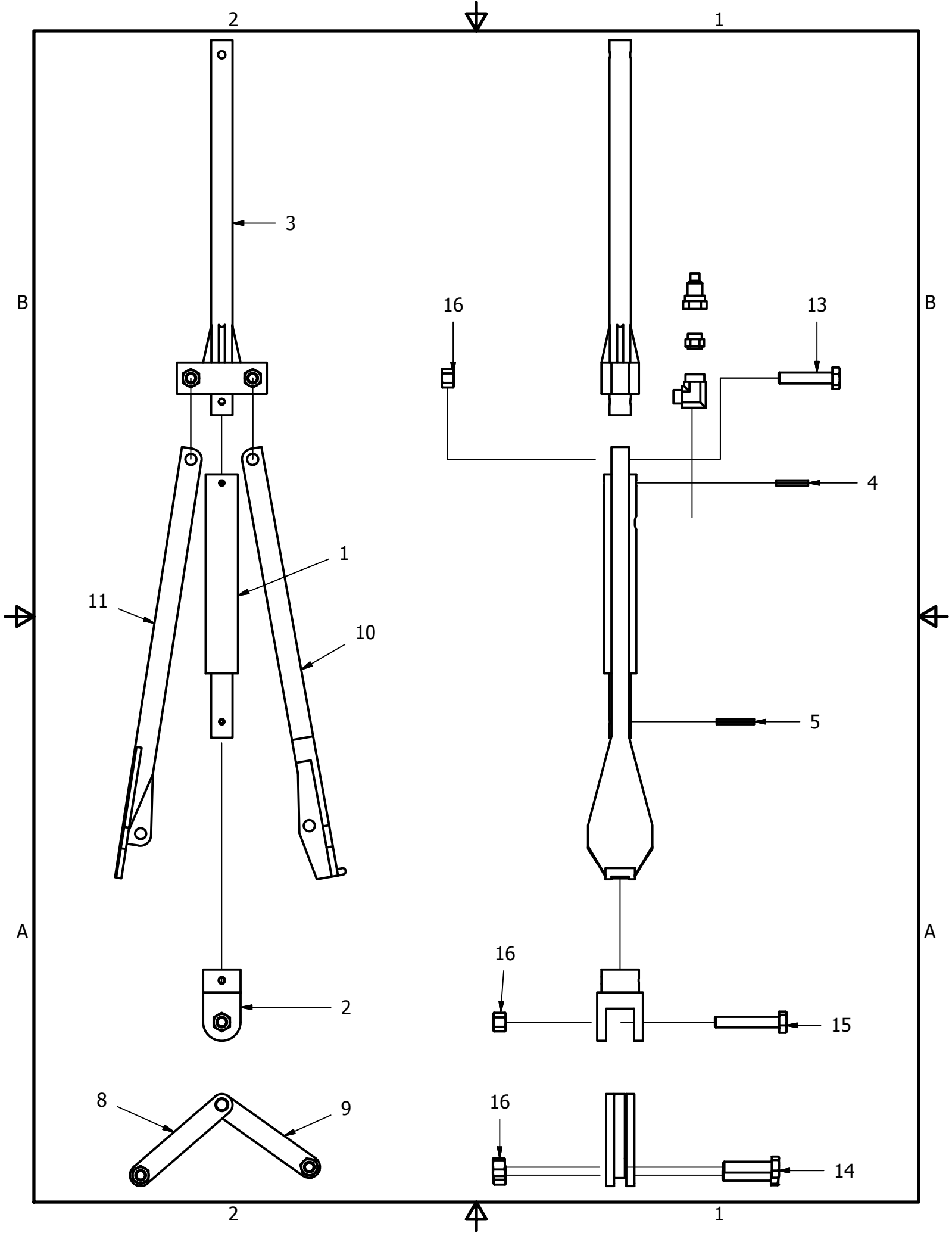


# 11065 Dual Ag Bead Breaker





2



1

PARTS LIST

ITEM	QTY	PART NUMBER	DESCRIPTION
1	1	11065-001	RAM-AME BEAD BREAKER
2	1	11065-002	CLEVIS-AME BEAD BREAKER
3	1	11065-003	HANDLE-AME BEAD BREAKER
4	1	11065-004	ROLL PIN .25X1.50
5	1	11065-005	ROLL PIN .25X1.75
6	1	11065-006	ELBOW-STREET STL .38X90 DEG
7	1	11065-007	ADAPTER-MPT/HEX/MPT .38 .38
8	2	11065-008	PIVOT ARM-AME BEAD BREAKER 0.38
9	1	11065-009	PIVOT ARM-AME BEAD BREAKER 0.5
10	1	11065-010	ARM-DUAL BEAD BREAKER(WITH LIP)
11	1	11065-011	ARM-DUAL BEAD BREAKER(FLAT)
12	1	11065-012	NIPPLE-DISC .38 FPT 10,000 PSI
13	2	11065-013	CAP SCREW .50-13X2.50 HH GR8 Z
14	2	11065-014	CAP SCREW 0.5-13X2.25 HH GR8 Z
15	1	11065-015	CAP SCREW 0.5-13X3.00 HH GR8 Z
16	5	11065-016	NUT 0.50-13 HEX NYLOCK

B

B



A

A

2



1